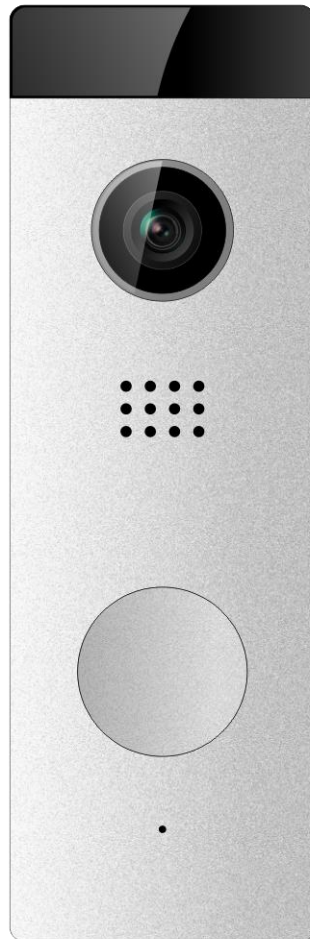




## LIP 03 LINUX DOOR STATION USER MANUAL



It obeys the rules of AEEE regulations.



## **LIP 03 LINUX DOOR STATION USER MANUAL**

Thank you for choosing LIP 03 linux door station. This user manual was prepared for using the device more efficiently.

**LIP 03 LINUX DOOR STATION HAS WARRANTY FOR 2 YEARS AGAINST MANUFACTURING DEFECTS.**

Multitek has rights to change the features of the device given in this document prior given any information.

**Manufacturer/Importer:** Multitek Elektronik San. Ve Tic. A. Ő.

**Headquarter / Factory:** Meclis Mahallesi Atatürk Cad. No: 47 34785 Sancaktepe / İSTANBUL

**Tel:** (0216) 420 38 38 **Fax:** (0216) 415 79 18

**E-Mail:** info@multitek.com.tr

## SAFETY WARNINGS

For your own and the device safety, you should obey the security warnings;

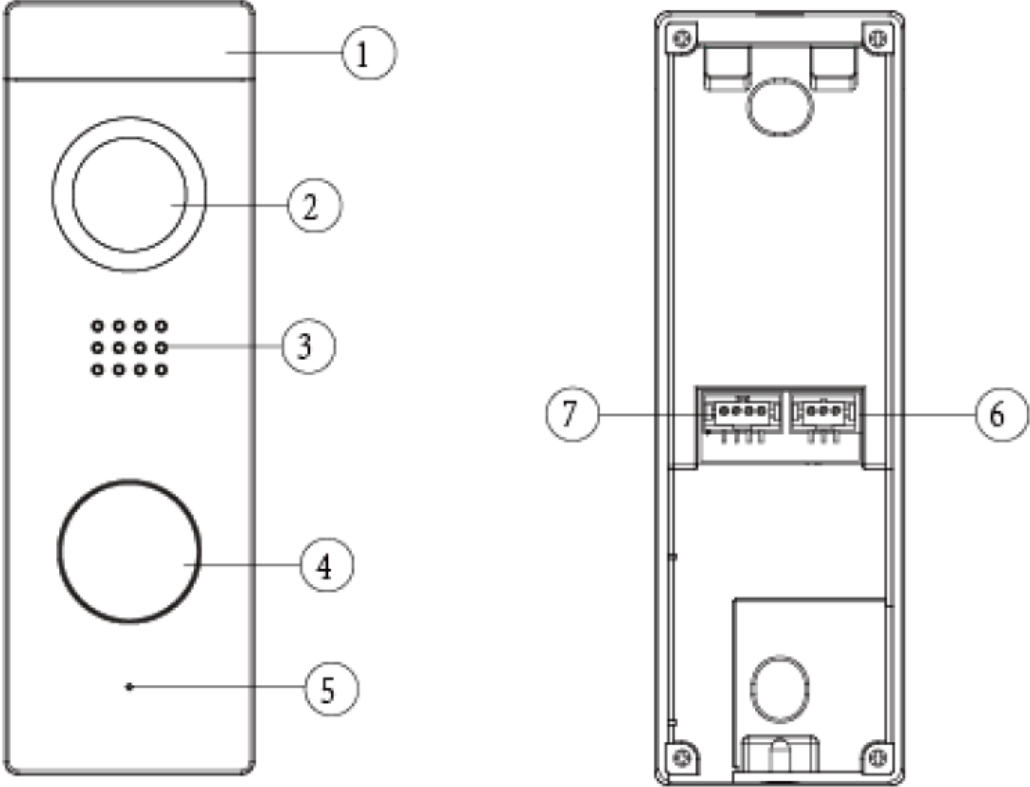
- Read the user manual carefully.
- Read the safety warnings carefully.
- Remarks about Transport, Shipment and Preservation  
During transport and shipment keep the product with its case. The case will protect the product against the physical damages.  
Don't put heavy weight on to the product or the product case. The product might be damaged.  
In case of falling, the product might have permanent damage which will make it non-operational.  
Deformation might be caused in case of extreme air conditions such as hot or cold weather. Life time of the electronic circuits tend to decrease in such conditions.
- Situations that might be dangerous to human or natural environment:  
Beware of the sharp pointed edges of the case,  
Recycle the product case in the proper recycling bin.
- Maintenance of the product  
The product doesn't need periodic maintenance. For maintenance and repair please consult to the authorized services.  
By rubbing with dry cloth, you can clean the product periodically.  
You can keep the product in its case, when you are not using it.  
Before cleaning the product, unplug the connection. Be careful that the cleaning material doesn't contain any solvent such as alcohol, gasoline or thinner.
- Place the product on a plain and stable wall.
- To prevent any kind of electrical shock, use the product with its original cable.
- Don't put any foreign substance in the product. And don't try to open it with devices that might cause electrical shock.
- When maintenance and repair are practiced in places other than the authorized services, the product might be damaged.
- Remarks about the energy consumption of the product  
The product is designed to work 24/7. Yet to prevent energy consumption, it should be unplugged when it won't be used for a long period of time. The user should be aware that each of the terminal stations that are left on use energy that is not needed.  
In case of malfunctioning please consult to an authorized service.

**TABLE OF CONTENTS**

- 1. NAME AND FUNCTION OF EACH PART .....5**
  - 1.1 Front and Rear Part.....5
- 2. FEATURES .....6**
- 3. PACKING CONTENTS .....6**
- 4. INSTALLATION .....7**
- 5. SPECIFICATIONS .....7**

**1. NAME AND FUNCTION OF EACH PART**

**1.1 Front and Rear Part**

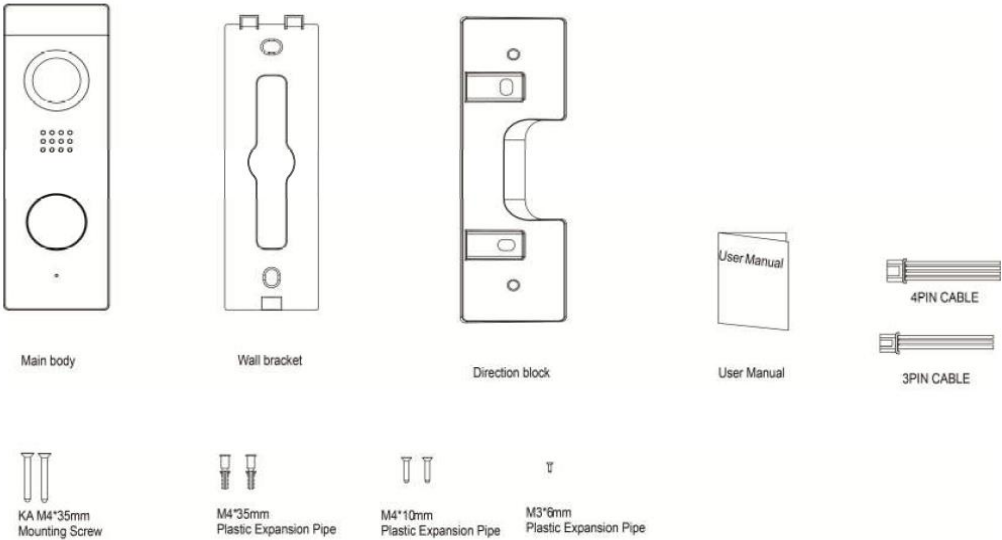


No	Part Name
1	1 LED for night vision
2	2 Camera
3	3 Speaker
4	4 Call button
5	5 Microphone
6	6 Wires for electronic lock
7	7 Wires for Monitor

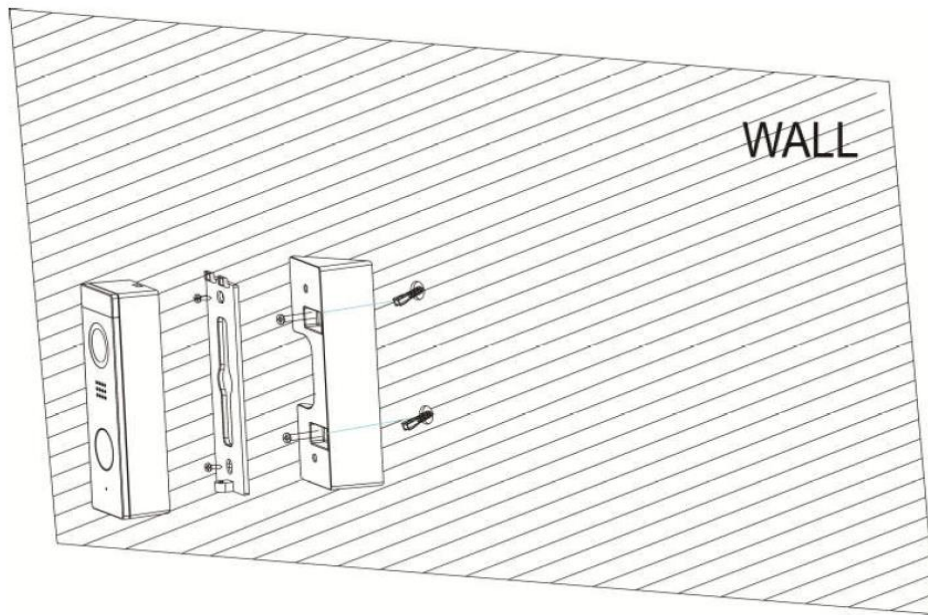
## 2. FEATURES

- Wide Angle color Camera
- White LED for night vision
- 4 Wires in polarity
- Surface mounted
- Door lock release

## 3. PACKING CONTENTS



## 4. INSTALLATION



## 5. SPECIFICATIONS

<b>Wiring</b>	4 Wire Monitor/2 Wire Electronic lock
<b>Lighting</b>	LED for night vision
<b>Angle</b>	120 °
<b>Weight(g) With bracket &amp; hood cover</b>	198 g
<b>Operation temperature</b>	(-40) ~ (+50) °C
<b>Dimensions(mm)</b>	124 (H)*40(W)*25(D)