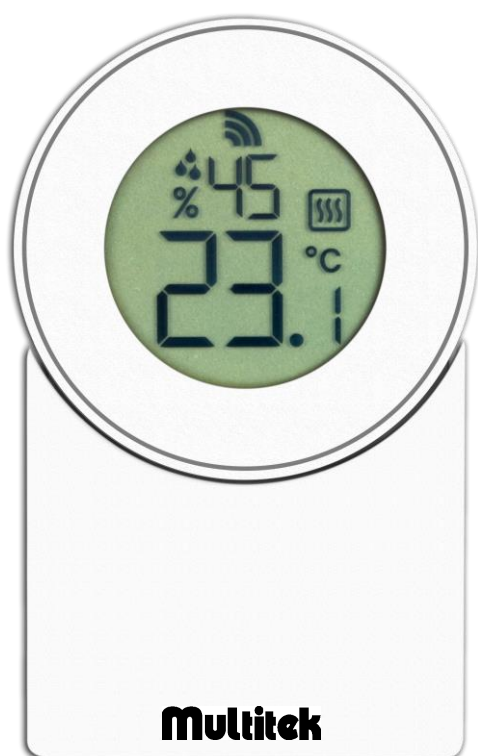


Multitek®

RF ROOM THERMOSTAT

USER MANUEL



RF ROOM THERMOSTAT

USER MANUAL

Thank you for choosing Multitek RF ROOM THERMOSTAT. This user guide has been prepared for you to learn the features of your device and to use it more efficiently.

MULTİTEK RF ROOM THERMOSTAT YOUR DEVICE IS GUARANTEED FOR 2 YEARS AGAINST MANUFACTURING DEFECTS. THE LIFE OF THIS DEVICE IS 7 YEARS.

Multitek reserves the right to make changes in the specifications specified in this document without prior notice.

MANUFACTURER: Multitek Elektronik San. Ve Tic. A. Ş.

Headquarter / Factory: Meclis Mahallesi Atatürk Cad. No: 47 34785 Sancaktepe / İSTANBUL

Tel: (0216) 420 38 38 **Faks:** (0216) 415 79 18

E-Mail: info@multitek.com.tr

Website: www.multitek.com.tr

CONTENTS

SAFETY WARNINGS	4
A. CONTENTS OF THE BOX	5
B. DEVICE DETAILS	5
C. INSTALLATION INFORMATION	5
1. Wall Mount	5
2. Desktop Usage.....	6
D. OPERATING THE DEVICE	6
E. USE	7
1. Setting The Target Temperature.....	7
2. To Increase The Temperature	7
3. To Reduce The Temperature.....	7
4. Detection of Temperature Changes.....	7
F. SETTING THE THERMOSTAT TO THE PROGRAMMING MODE	7
G. AUTHORIZED SERVICE STATIONS	8
WARRANTY CERTIFICATE	9
WARRANTY CONDITIONS	10

SAFETY WARNINGS

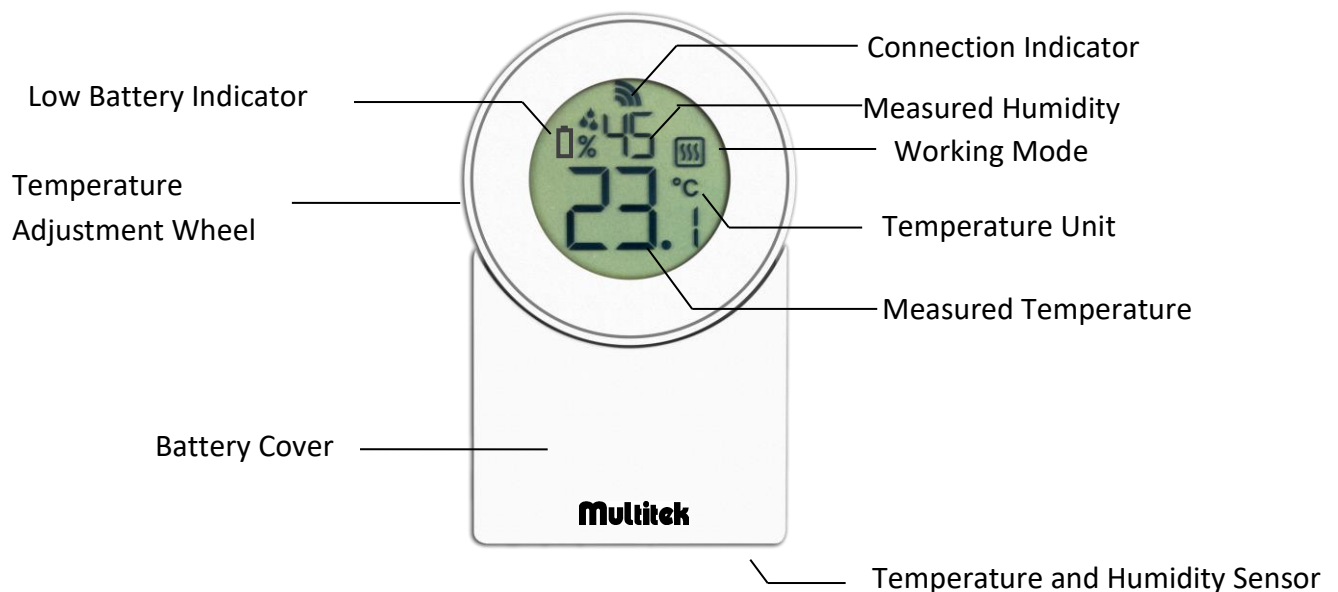
For your device and your safety, some safety rules must be followed.

1. Read the user manual carefully.
2. Read the safety warnings carefully.
3. Matters to be considered during Handling, Transport and Storage;
 - During transportation and transportation, always carry the product with its box. The box of the product will protect the product from physical damage.
 - Do not place heavy objects on the device or its box. The device may be damaged.
 - If the device is dropped, the device may not work or permanent damage may occur.
 - Too much cold or hot may cause deformation in the product. May shorten the life of electronic circuits or cause them to fail.
4. Situations that may be dangerous or harmful to human or environmental health during use;
 - Pay attention to the sharp edges when taking the product out of the box.
 - Dispose of the product packaging in waste bins separated by type.
5. Device Maintenance;
 - Your device does not require periodic maintenance and only apply to authorized services for maintenance and repair.
 - You can clean the product periodically by wiping it with a dry cloth.
 - You can store the product in its box when not in use.
 - Cleaning agents such as alcohol, gasoline, thinner, etc. Make sure it does not contain any solvents. Wipe the device with a dry cloth.
6. Do not insert foreign objects into your device.

A. CONTENTS OF THE BOX

PRODUCT NAME	TECHNICAL PARAMETERS	
RF Room Thermostat	Operating voltage	:3VDC 2 PieceAA
Mounting Feet	Maximum Power	: 360mW
2 Mounting Screws and Dowels	Wait Power Consumption	: 1mW
User and Installation Manual	Distance	:70M (Openarea)
2 AA Pen Batteries “Batteries are inside the device.”	Frequency	: 433.92MHz
	Wireless Transmit	: ~10dbm

B. DEVICE DETAILS



- **Low Battery Indicator** : The indicator will illuminate when the battery voltage approaches the level that cannot operate the device. In this case, you need to replace the batteries. “2 PieceAA Battery”
- **Temperature Unit** : Displayed is the unit of temperature. “Celcius (°C)”
- **Working Mode** : The operating mode of the device is displayed. Heating (☀️) or Cooling (❄️)
- **Connection Indicator** : Appears when device is wirelessly exchanging information.

C. INSTALLATION INFORMATION

You can use the device by mounting it on the wall or as a desktop.

1. **Wall Mount:** Mount the mounting apparatus that comes out of the box to the wall as shown in figure-1. You can mount the 4 mounting pins (Figure-1 A) on the mounting apparatus to the 4 mounting slots (Figure-2 B) on the back of the device (Figure-3).

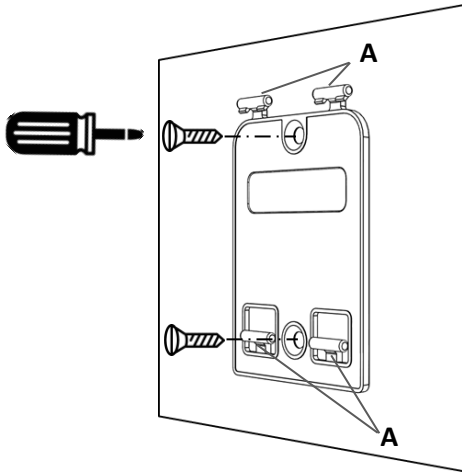


Figure-1

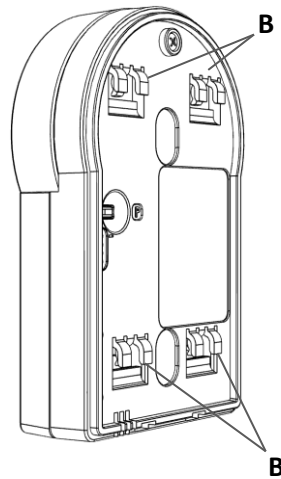


Figure-2

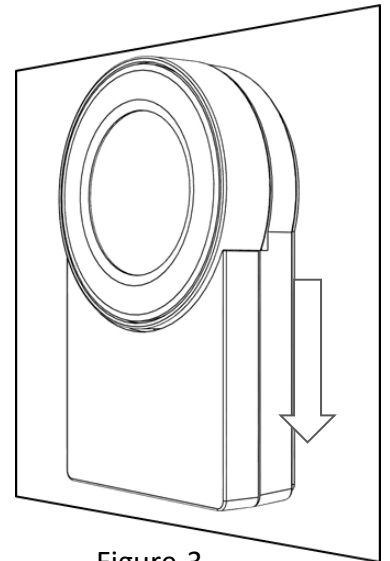


Figure-3

2. Desktop Usage: Mount the 2 mounting pins (Figure-4 A) on the mounting apparatus to the 2 mounting slots (Figure-5 B) on the back of the device. You can use the device as a desktop as shown (Figure-6).

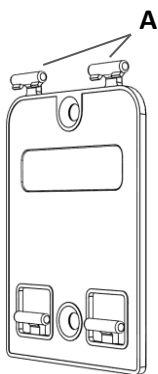


Figure-4

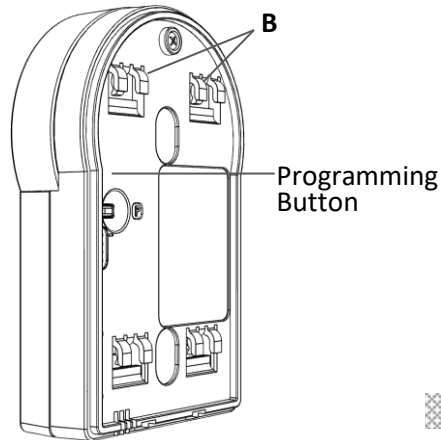


Figure-5

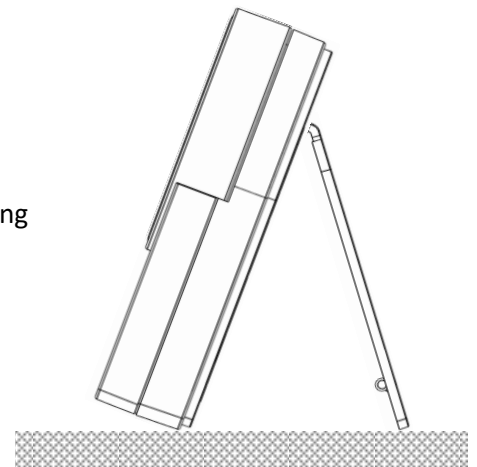


Figure-6

D. OPERATING THE DEVICE

Device works with 2 AA Batteries. Batteries are inside the device when first purchased. There is a label that disconnects the batteries electrically to prevent battery consumption. You need to remove this label to operate the device.

To remove the sticker, gently press the battery door with your finger and pull it down. (Figure-7)

Remove the Red Colored sticker on the battery contact. (Figure-8)

Put the battery cover back on.

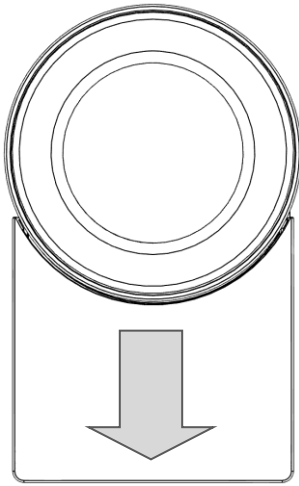


Figure-7

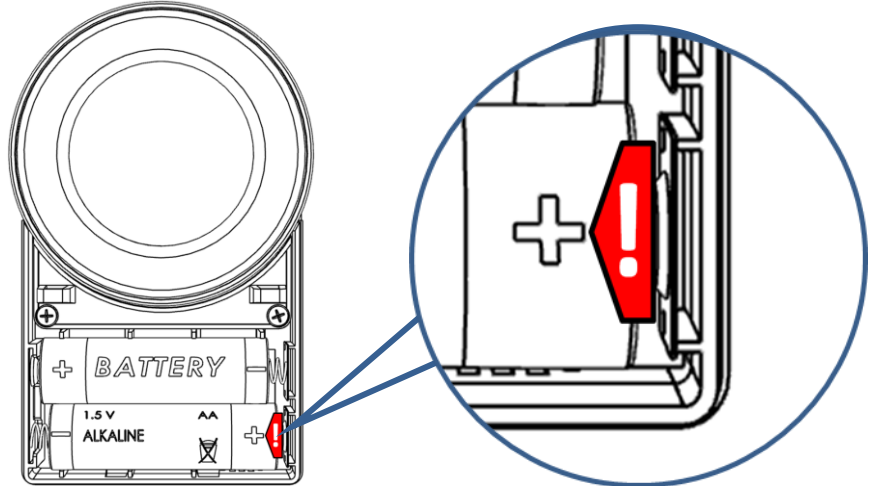


Figure-8

E. USE

1. Setting The Target Temperature

You can increase or decrease the desired temperature level by turning the Adjustment Wheel on the outermost part of the screen to the right or left.

2. To increase The Temperature

Turn the Adjuster Wheel clockwise. When you turn the gradually rotating Adjustment Wheel, the target temperature value available in the first step will be displayed. The target temperature target will increase as you keep turning in the same direction.

3. To Reduce The Temperature

Turn the Adjusting Wheel counterclockwise. When you turn the Gradually Rotating Adjustment Wheel, the temperature value available in the first step will be displayed. The target temperature value will decrease as you keep turning in the same direction.

4. Detection of Temperature Changes

Changes in ambient temperature are shown on the screen within 2 minutes.

F. SETTING THE THERMOSTAT TO THE PROGRAMMING MODE

Press and hold the Programming Button on the back of the device (figure-5) for 5 seconds. You can release the Programming Button when “Pr” appears on the screen. The device has entered programming mode.